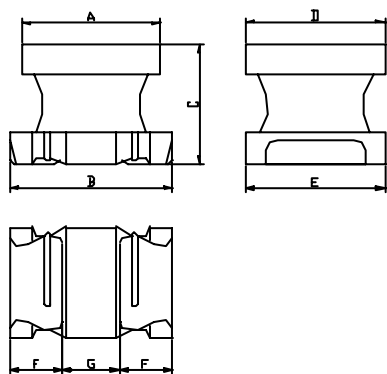


# SMD Power Inductor CI Series

## Characteristics and Applications

- 1、 Excellent solderability and heat resistance, high Q value, chip-type , small size , and small weight ;
- 2、 Excellent electric properties, stability and reliability, long service life;
- 3、 Applicable to portable telecommunication facilities, portable computer, DC/DC conversion, PDA, etc.;
- 4、 Suitable for choking coil in DC circuit, with the max DC amperage up to 1450mA;

## Dimensions



P/N	A	B	C	D	E	F	G	EIA
CI32	2.5±0.2	3.2±0.3	2.0±0.2	2.5±0.2	2.5±0.2	2.5±0.2	1.3±0.2	1210
CI43	3.6±0.2	4.5±0.3	2.6±0.2	3.2±0.2	3.2±0.2	1.0±0.2	1.0±0.2	1210

## Electrical Parameter Properties

### CI32-XXX□

Item	Part Number	Inductance & Tolerance <sup>1</sup> (nH)	Testing Condition	Rdc2 (ohm)MAX	SR Frequency <sup>3</sup> (MHz)MIN	Max Idc.4(mA)MAX
1	CI32-R15M	0.15 ± 20%	1MHz	0.036	400 Min	1450
2	CI32-R27M	0.27 ± 20%	1MHz	0.044	250 Min	1250
3	CI32-R47M	0.47 ± 20%	1MHz	0.055	150 Min	1100
4	CI32-1R0M	1.0 ± 20%	1MHz	0.078	100 Min	1000
5	CI32-2R2M	2.2 ± 20%	1MHz	0.169	64 Min	600
6	CI32-4R7M	4.7 ± 20%	1MHz	0.26	43 Min	450
7	CI32-100K	10 ± 10%	1MHz	0.572	26 Min	300
8	CI32-150K	15 ± 10%	1MHz	0.754	26 Min	300
9	CI32-220K	22 ± 10%	1MHz	0.923	19 Min	250
10	CI32-330K	33 ± 10%	1MHz	1.43	17 Min	200
11	CI32-470K	47 ± 10%	1MHz	1.69	15 Min	170
12	CI32-680K	68 ± 10%	1MHz	2.86	12 Min	130
13	CI32-101K	100 ± 10%	1MHz	4.55	10 Min	10
14	CI32-221K	220 ± 10%	1MHz	10.92	6.8 Min	70
15	CI32-331K	330 ± 10%	1MHz	13	5.6 Min	60
16	CI32-391K	390 ± 10%	1MHz	22.1	5 Min	60
17	CI32-471K	470 ± 10%	1MHz	24.7	5 Min	60
18	CI32-561K	560 ± 10%	1MHz	28.6	5 Min	60

## CI43-XXX□

Item	Part Number	Inductance& Tolerance <sup>1</sup> (nH)	Testing Condition	Rdc2 (ohm)MAX	SR Frequency <sup>3</sup> (MHz)MIN	Max Idc.4(mA)MAX
1	CI43-1R0M	1.0±20%	1MHz	0.08	100 Min	1080
2	CI43-1R5M	1.5±20%	1MHz	0.09	85 Min	1000
3	CI43-2R2M	2.2±20%	1MHz	0.11	60 Min	900
4	CI43-3R3M	3.3±20%	1MHz	0.13	47 Min	800
5	CI43-4R7M	4.7±20%	1MHz	0.15	35 Min	750
6	CI43-6R8M	6.8±20%	1MHz	0.20	30 Min	720
7	CI43-100K	10±10%	1MHz	0.24	23 Min	650
8	CI43-150K	15±10%	1MHz	0.32	20 Min	570
9	CI43-220K	22±10%	1MHz	0.6	15 Min	420
10	CI43-330K	33±10%	1MHz	1.0	12 Min	310
11	CI43-470K	47±10%	1MHz	1.1	10 Min	280
12	CI43-680K	68±10%	1MHz	1.7	8.4 Min	220
13	CI43-101K	100±10%	1MHz	2.2	6.8 Min	190
14	CI43-151K	150±10%	1MHz	3.5	5.5 Min	130
15	CI43-221K	220±10%	1MHz	4.0	4.5 Min	110
16	CI43-331K	330±10%	1MHz	6.8	3.6 Min	100
17	CI43-471K	470±10%	1MHz	8.5	3.0 Min	90

### Temperature Range: -20°C ~+85°C

- 1 Inductance measured by using Agilent HP4285A LCR Chart(Testeng condition lower than 1MHz) and HP4291A(testing conditions greater than 1MHz)
- 2 RDC measured by using Agilent HP4263 Resistance Tester
- 3 SR frequency measured by using Agilent HP4291A Impedance Material Analyzer
- 4 Max IDC measured by using HM2791C+HM2710